



LEAPTON
SOLAR

Installation & Maintenance

This manual provides information on installation and safe use of photovoltaic modules produced by Leapton Solar (Changshu) Co., Ltd. and recommends safe and reliable installation instructions and maintenance of modules for customers.

Version: 2024 V1



1. Purpose

This manual provides information on installation and safe use of photovoltaic modules produced by Leapton Energy Co., LTD., and recommends safe and reliable installation instructions and maintenance of modules for customers.

Before installing the modules, the installer must read and understand this manual. If you have any questions, please contact the sales or customer service personnel of Leapton for further understanding. When installing modules, the installer should comply with all safety precautions in this manual and relevant legal specifications of installation. Installation personnel should be familiar with the mechanical load and electrical requirements of the installation system. Leapton reserves the right to refuse compensation for any damage caused by defects in construction or design of the power generation system.

2. scope of application

This document is applicable to the normal installation of single and double glass solar module in Leapton Energy Co., LTD.

3. Responsibility

Technology and Craft Department: responsible for documentation, update and maintenance;

4. Related record form

See the document resume

5. Supplementary provision

The final interpretation of this document is the responsibility of the Technology and Craft department. The document is invalid without a controlled seal. It is forbidden for any department or individual to print, copy or copy documents without permission. The documents shall be translated from Chinese to English, and the Chinese content shall prevail in case of any deviation caused by translation.

This document is centrally managed by Leapton Energy (Changshu) Co., LTD.

Contents

1. The basic information
 - 1.1 Overview
 - 1.2 Warning
2. Installation
 - 2.1 Install security
 - 2.2 Selection of installation conditions
 - 2.2.1 Selection of installation location
 - 2.2.2 Choice of inclination Angle
 - 2.2.3 Choice of bifacial solar module
 - 2.3 Installation Method
 - 2.3.1 Screw installation
 - 2.3.2 Block installation
3. Wiring and connection
4. Maintenance
 - 4.1 Visual inspection
 - 4.2 Clean
 - 4.3 Inspection of connectors and cables
5. Electrical characteristics
6. Disclaimer
7. Modified version and date

1. The basic information

1.1. Overview

First of all, thank you for choosing to use the solar module of Leapton Energy Co., LTD. (hereinafter referred to as "Leapton"). In order to correctly install and obtain stable power output, please read the following instructions carefully before installing and maintaining the module. The operation of photovoltaic power generation system requires relevant professional knowledge. The system must be installed and maintained by personnel with professional knowledge, and the installation personnel should be familiar with its mechanical and electrical requirements. If you have any questions, please contact our customer service department or your local representative.

You are using a power generation product, so to avoid accidents, you need to take appropriate safety precautions.

Ensure that the current and voltage values generated after the module is connected are within the applicable range of the current and voltage values of other devices connected to this array and do not exceed the maximum system voltage that the solar module can bear.

If the modules are installed on a roof, they must be installed on a roof with some fire resistance. Consult your local building department to decide what roofing materials to use.

Solar modules application class A: hazardous voltage (IEC 61730: higher than 50V DC; EN 61730: greater than 120V), dangerous power (greater than 240W), module quality meets the safety requirements according to EN 61730-1 and -2 standards, safety class II.

1.2. Warning

Installation personnel must comply with all safety instructions and precautions mentioned in this installation manual, and comply with laws or regulations of authorized authorities and other local requirements. Failure to comply with the relevant safety and installation specifications described in this manual, or to comply with legal or authorized authority regulations and other local requirements, will result in the lapse of the limited warranty on purchased module products.

Leapton solar photovoltaic modules have passed the test of the global authority certification body, please feel free to use in accordance with the requirements and terms of this installation manual.

- Before installing the solar photovoltaic system, please contact the relevant local authority to determine the installation permit and installation inspection requirements that meet the local requirements.

- Direct current (DC) is generated when the module battery face is directly exposed to sunlight or other light sources. Direct contact with the live part of the module may lead to electric shock and combustion hazard.

- The front glass of the solar module has the function of protecting the module. The damaged solar module is electrically dangerous (electric shock and fire). Such modules cannot be repaired or repaired and should be replaced immediately.

- Under ordinary outdoor conditions, the current and voltage generated by the modules are different from those listed in the parameter sheet. Parameter table is measured under standard test conditions, so in determining the rated voltage of other modules in the photovoltaic power generation system, cable capacity, fuse capacity, controller capacity and other parameters related to the power output of the module,

refer to the value of the short-circuit current and open-circuit voltage marked on the module, and design and installation according to 125% of the value.

- Due to the conditions of photovoltaic power generation is under sunlight, the module can work normally. Shading has a significant impact on the load generated by the module, and the module should be completely shielded (e.g., through buildings, chimneys, trees) throughout the year, even partial shading (e.g., through overhead lines, dirt, snow) should be avoided.

- To reduce the risk of electric shock or combustion, the solar module can be installed with opaque material on the surface of the module.

- The installation of the module array must be carried out with a solar isolation device and only qualified professionals can install and maintain the modules.

- If the photovoltaic system uses batteries, and the configuration of module should follow the opinions of battery manufacturers.

- Do not install modules in areas where flammable gases may be present.

- In the case of power supply is not disconnected, do not use water to extinguish fire.

- Do not move modules by pulling the cables or junction boxes of modules. When moving modules, two or more people should carry modules with non-slip gloves; Do not carry overhead modules. Do not move stack modules.

- All modules and systems should be grounded. If there are no special regulations, please follow the international electrical standards or other international standards.

- Do not stand on or walk on modules as this can damage modules and may pose a risk of personal injury.

- The modules of the same size and specifications can be connected in series.

- During all transportation, ensure that the vehicle or modules will not be subjected to severe vibration, as vibration may damage the modules or It causes hidden cracks to the batteries in the modules.

- During all transportation, do not let modules fall to the ground from vehicles, houses, or hands, as this can cause damage Bad modules or cells in modules.

- Modules (glass, junction box, connector, etc.) should avoid long-term exposure to the environment containing sulfur, strong acid, strong alkali and other corrosive risks to the product.

- Do not use corrosive chemicals to wipe the modules, do not brush paint or corrosive substances on the surface of the modules;

- Do not disconnect modules when the load is working.

- Photovoltaic modules use anti-reflective film technology, if the module is observed at different angles found color difference, this is a normal phenomenon. It is not recommended that coated and non-coated modules be installed on the same array or roof.

- The connector of the junction box should not be in contact with oily substances, organic solvents and other corrosive materials to avoid damaging the connector. Such as alcohol, gasoline, lubricant, rust inhibitor, herbicide and so on.

- Before installation of modules, it is recommended to add rain proof facilities in the storage of the project site to avoid direct open placement.

- Do not install modules under artificial spotlight.

- Maximum altitude of PV module $\leq 2000\text{m}$.

2. Installation

2.1. Install security

Headquarter: Leapton Energy Co., Ltd.

Tokyo Branch: Leapton Energy Co., Ltd.

Germany Branch: LEAPTON ENERGY GmbH

American Branch: LEAPTON ENERGY LLC

📍 Kobe, Japan

📍 Tokyo, Japan

📍 Cologne, German

📍 California, America

China Branch: Leapton Engineering Technology (Shanghai) Co., Ltd.

Solar module Manufacturer: Leapton Solar (Changshu) Co., Ltd.

Brazil Branch: LEAPTON ENERGY DO BRASIL LTDA

Australia Branch: LEAPTON ENERGY (AUSTRALIA) PTY LTD

📍 Shanghai, China

📍 Changshu, China

📍 Sao Paulo, Brazil

📍 Sydney, Australia

- When installing, wear protective head cover, insulating gloves, rubber insulating shoes and other protective measures.
- In the photovoltaic system installation or maintenance, please do not wear metal rings, watches and other metal material products, so as not to cause electric shock risk, damage modules.
- When installing, unpack the modules. Once the modules are removed from the packing box, they should be installed in time and connected to the bus box. If they are not installed immediately, protective measures should be taken for the connecting head (such as adding rubber joint cover, etc.).
- Do not touch the modules unnecessarily during installation. The surfaces and borders of the modules may be very hot, which could lead to burns or electric shocks.
- Do not install in rainy, snowy or windy weather conditions.
- Due to the danger of electric shock, do not install the modules if the junction box terminals are wet. Use dry insulated tools, not wet ones.
- During installation, do not throw any objects (such as modules or tools).
- Please ensure that the installation site is near, there is no or no combustible gas.
- Correctly connect the male and female connectors, check the wiring condition, all the connectors shall not be separated from the module, and take a certain way so that the connector will not bruise or squeeze the backplane on the module.
- No matter whether the module is connected to the PHOTOVOLTAIC system or not, do not touch the junction box or the male or female head with bare hands during installation or when the light is shining on the module.
- Do not add excessive force or objects on the surface of the module, or distort the frame of the module.
- Do not put heavy objects or impact on the glass or backplane of the module, which may damage the battery or cause hidden crack of the battery.
- Do not use sharp tools to clean the glass or back film of the module, as this will leave scratches on the module.
- Do not drill holes in the frame of the module without authorization.
- For the structure installed on the roof, please try to follow the safety principle of "top to bottom" and/or "left to right". Please do not stand on the modules, because it will damage the modules and also cause personal safety hazard.
- Modules will have thermal expansion and cold contraction effect, installation of two adjacent conventional modules recommended spacing > 10mm; The minimum clearance between two adjacent double-sided modules is recommended to be > 20mm; If you have special requirements, please confirm with Leapton after installation;
- It is recommended that during installation, disassembly, maintenance and any other related process, the force between cable and connector, cable and junction box should not be greater than 60N.
- Different roof structures and installation methods can affect the fire safety performance of buildings, and incorrect installation of modules may cause fires. To meet the fire rating of the roof, the minimum distance between modules and the roof is 115mm.

2.2. Selection of installation conditions

- 1) Relative humidity: < 85%
- 2) Operating ambient temperature between -40°C (-40°F) and +85°C (185°F)
- 3) Recommended operating temperature range -20° C (-4°F) to +50° C (122°F)

Note: Module mechanical loads (including wind and snow pressures) are based on installation method and location and must be calculated by professional installers according to system design requirements.

2.2.1. Selection of installation location

In general, solar modules should be installed in areas that receive the most light throughout the year. In the Northern hemisphere, modules are best placed facing south, while in the southern hemisphere, modules are best placed facing north. If the module tilts 30 degrees from due south (or due north), it will lose about 10% to 15% of power output; If the module tilts 60 degrees from due south (or due north), it will lose approximately 20% to 30% of power output. When selecting locations, avoid trees, buildings, or other obstacles that cast shadows on modules. Although the manufacturer has installed appropriate bypass diodes to minimize this loss, the shadow still causes a reduction in output power.

When the photovoltaic power generation system uses the battery, the battery must be installed correctly, which can protect the operation of the system and ensure the safe use of users; Please follow the battery manufacturer's instructions for installation, operation and maintenance; In general, batteries (or batteries) should be kept away from major traffic routes for people and animals; In addition to the normal operation of batteries, avoid direct sunlight, rain and snow erosion, and maintain good ventilation. Most batteries produce hydrogen when they are charged, which can easily explode. Be sure not to light an open flame or create sparks around the battery. If the battery is installed outdoors, it must be placed in a specially designed place with good insulation and ventilation.

Do not install modules near open flames or flammable materials.

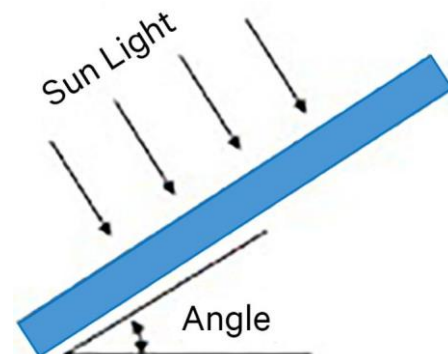
Do not install modules where they will be soaked in water or continuously exposed to water wheels or fountains.

Leapton solar module has passed the salt mist test of IEC 61701. However, corrosion might occur at the junctions between the frame and brackets or at the grounding connections. The module is suitable for installation on land located 50m-500m away from the sea. Nevertheless, when installing the module within this distance range, it's essential to apply proper anti-corrosion treatment to the relevant parts.

2.2.2. Choice of inclination Angle

The tilt Angle of the solar module refers to the Angle between the surface of the module and the ground plane (as shown in Figure 1 on the right). The power output is maximum when the module is directly facing the sun.

If connected to an independent PHOTOVOLTAIC system, the module should be installed at an Angle that maximizes the power output according to the season and light conditions. Generally speaking, if the output of the module can be satisfied with the lowest light intensity during the year, then the output of the module at this Angle can meet the needs of the whole year. For grid-connected systems, the installation Angle of modules should be selected based on the basic principle of maximizing annual output.



Fixed the recommended installation Angle during system installation

Latitude of the installation site	Installation Angle
0°~15°	15°
15°~25°	The latitude of the installation site is the same
25°~30°	Latitude of the installation site +5°
30°~35°	Latitude of the installation site +10°
35°~40°	Latitude of the installation site +15°
40°+	Latitude of the installation site +20°

2.2.3. Choice of bifacial solar module

Under certain installation conditions, the bifacial (double-glass/transparent) modules will also generate power when the reflected light is received on the back side, giving the power station system additional generation gain.

Modules should be completely sheltered (e.g., through buildings, chimneys, trees) throughout the year, even partial (shadow) shielding (e.g., through overhead lines, dirt, snow, back supports) should be avoided.

The yield gain is related to ground reflectivity, module height, array spacing, and rear shadow occlusion.

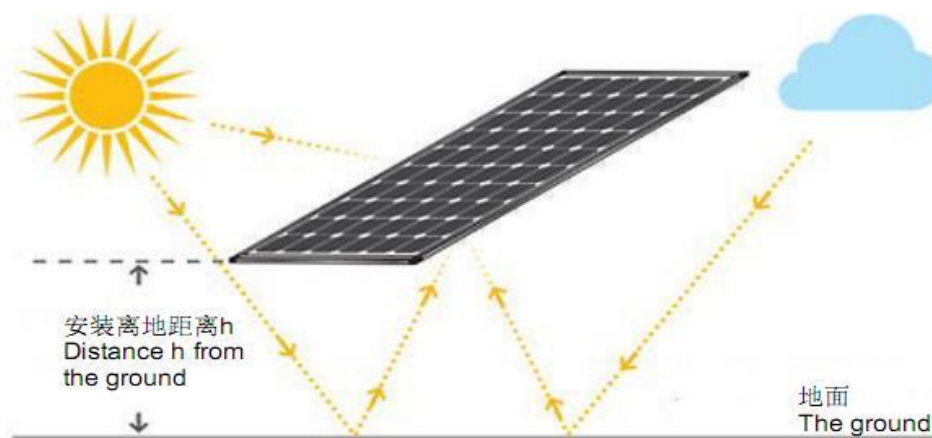
In general, different ground reflectivity is different, resulting in different module generation gain. As shown in the table.

The reflectivity of different surfaces

Ground Type	Water	Grass	Land	Concrete	Sand	Snow
Reflectivity range (%)	5-12	12-25	20-33	20-40	20-40	80-85

Different ground height also affects the gain of power generation of the Bifacial solar module. You are advised to install the bifacial solar module at a height of 1 to 2 meters. As shown in the figure.

Schematic diagram of installing bifacial solar module off the ground



During system design, in addition to the ground type and ground height, proper array spacing and how to avoid shadowing on the back need to be considered. Please consult professional system designers.

2.3. Installation Method

Headquarter: Leapton Energy Co., Ltd.

Tokyo Branch: Leapton Energy Co., Ltd.

Germany Branch: LEAPTON ENERGY GmbH

American Branch: LEAPTON ENERGY LLC

📍 Kobe, Japan

📍 Tokyo, Japan

📍 Cologne, German

📍 California, America

China Branch: Leapton Engineering Technology (Shanghai) Co., Ltd.

Solar module Manufacturer: Leapton Solar (Changshu) Co., Ltd.

Brazil Branch: LEAPTON ENERGY DO BRASIL LTDA

Australia Branch: LEAPTON ENERGY (AUSTRALIA) PTY LTD

📍 Shanghai, China

📍 Changshu, China

📍 Sao Paulo, Brazil

📍 Sydney, Australia

Modules can be installed in the following ways: screw mounting and block mounting.

Note:

1) All installation methods introduced here are for reference only, Leapton is not responsible for providing relevant installation modules, module system design, installation. Mechanical loading and safety must be done by a professional system installer or experienced person.

2) Before installation, the following important items need to be confirmed:

A) Before installation, check the appearance for defects or other sundries and the safety performance of the junction box, if any, remove it.

B) Check whether the serial number of the module is correct.

3) The maximum pressure that the front side of The Leapton solar module can bear is 5400Pa (only for the module models involved in this manual), and the back side is 2400Pa. The maximum design pressure that the front side can withstand is 5400Pa and the back side is 2400Pa. If the environment for installing modules is snowy or windy, take special protection measures to meet actual requirements.

2.3.1. Screw installation

There are mounting holes for connecting with the bracket system on the rear frame of the photovoltaic module, including $\phi 9 \times 14$ mounting hole and $\phi 7 \times 10$ mounting hole. When using $\phi 9 \times 14$ mounting holes, please use M8 bolt set in the table; when using $\phi 7 \times 10$ mounting holes, please use M6 bolt set in the table.

Mounting fasteners	M8 bolt kit		M6 bolt kit	Note
Bolt	M8		M6	Use corrosion resistant fasteners Sus304 is recommended
Flat washer	Washer 1 Outer diameter 13 Inner diameter 8	Washer 2 Outer diameter 13-16 Inner diameter 8	2*6	
	8			
Elastic washer	8		6	
Nut	M8		M6	
The torque range	16N·m-20N·m		14N·m- 18N·m	

The frame of a single solar module has eight mounting holes of 9mm x 14mm. To ensure the fastness of the solar module after installation, all eight mounting holes must be used. Install the solar module on the guide rail with M8 anti-corrosion screws, elastic washers and flat washers, and the torque used should be large enough to allow the module to be properly fixed. The reference torque of M8 screw ranges from 16 N·m to 20N·m. If a special support system or installation method is required, please reconfirm the torque value with the support supplier. For detailed installation information, see Figure 3 below

Screw installation method of the module type with 8 mounting holes and installation position in Figure 4 and table

Screw installation method of the module type with 4 mounting holes and installation position in Figure 5 and table

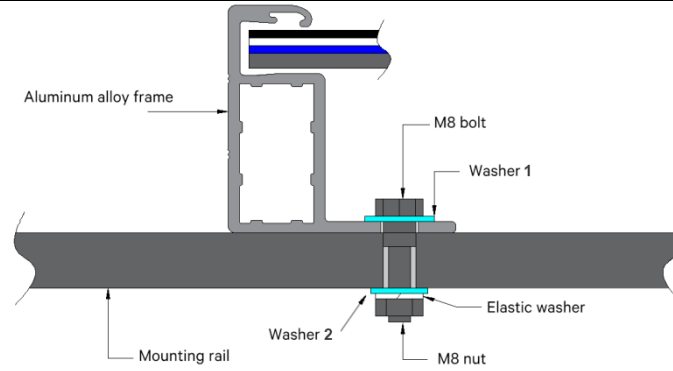


Figure 3: Screw installation diagram

2.3.1.1. Screw installation(8 mounting holes - use inner 4 + outer 4 mounting holes)

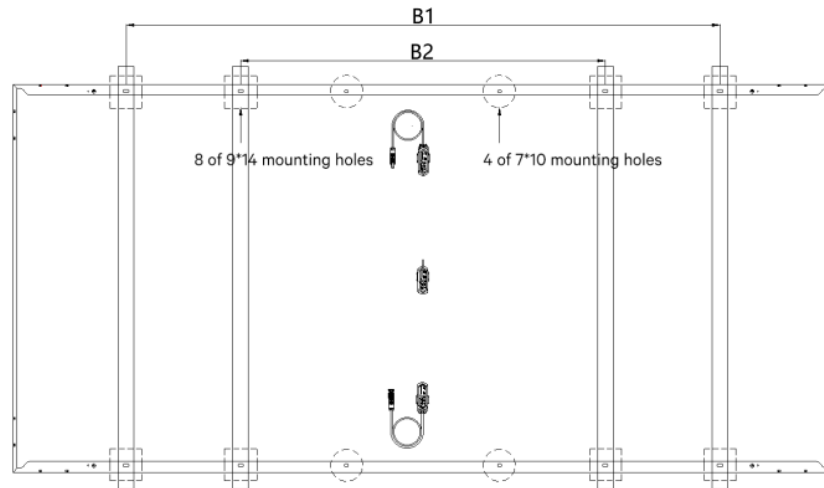


Figure 4: Screw fixing method(8 mounting holes - use inner 4 + outer 4 Installation)

Module Type/Dimension		Load : 5400Pa(front)/2400Pa(back)	
		B1	B2
LP210*210-M-66-MH-xxxW、	2384*1303*35(mm)	1528mm	1118mm
LP210*210-M-66-NH-xxxW	2408*1303*35(mm)	1552mm	1142mm
LP210*210-M-55-MH-xxxW、	2384*1096*35(mm)	1528mm	1118mm
LP210*210-M-55-NH-xxxW	2408*1096*35(mm)	1552mm	1142mm
LP210*210-M-66-MB-xxxW、	2384*1303*35/33(mm)	1400mm	1080mm
LP210*210-M-66-NB-xxxW	2408*1303*35/33(mm)	1424mm	1104mm
LP210*210-M-55-MB-xxxW、	2384*1096*30/28(mm)	1400mm	1080mm
LP210*210-M-55-NB-xxxW	2408*1096*30/28(mm)	1424mm	1104mm
LP182*182-M-78-MH-xxxW、 LP182*182-M-78-NH-xxxW、 LP182*199-M-72-NH- xxxW	2443*1134*35(mm)	1587mm	1177mm
	2472*1134*35(mm)	1616mm	1206mm
	2471*1134*35(mm)	1616mm	1206mm
	2465*1134*35(mm)	1609mm	1199mm
	2506*1134*35(mm)	1650mm	1240mm
	2522*1134*35(mm)	1666mm	1256mm

LP182*182-M-78-MB-xxxW, LP182*182-M-78-NB-xxxW LP182*199-M-72-NB- xxxW	2443*1134*35/30(mm)	1721mm	1421mm
	2472*1134*35/30(mm)	1750mm	1450mm
	2471*1134*35/30(mm)	1750mm	1450mm
	2465*1134*35/30(mm)	1743mm	1443mm
	2506*1134*35/30(mm)	1784mm	1484mm
	2522*1134*35/30(mm)	1800mm	1500mm
LP182*210-M-66-NH-xxxW	2382*1134*30(mm)	1526mm	1116mm
LP182*210-M-66-NB-xxxW	2382*1134*30(mm)	1660mm	1360mm

2.3.1.2. Screw installation(8 mounting holes - use outer 4 mounting holes)

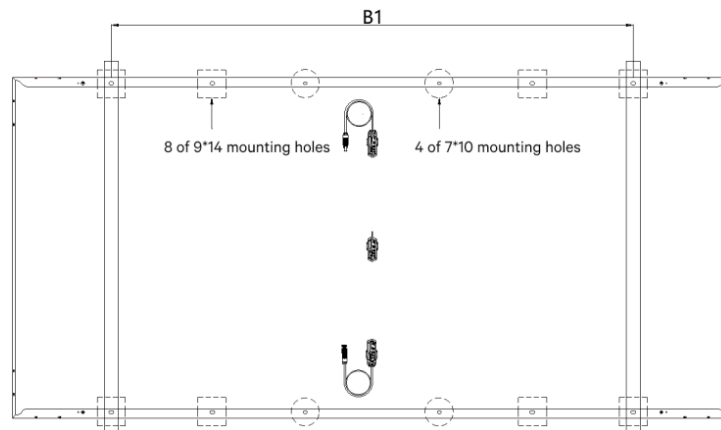


Figure 6: Screw fixing method(8 mounting holes – outer 4 Installation)

Module Type/Dimension		Load: 5400Pa(front)/2400Pa(back)
		B1
LP210*210-M-60-MH-xxxW、	2172*1303*35(mm)	1316mm
LP210*210-M-60-NH-xxxW	2195*1303*35(mm)	1339mm
LP210*210-M-54-MH-xxxW、	1962*1303*35(mm)	1154mm
LP210*210-M-54-NH-xxxW	1980*1303*35(mm)	1172mm
LP210*210-M-60-MB-xxxW、	2172*1303*35/28(mm)	1188mm
LP210*210-M-60-NB-xxxW	2195*1303*35/28(mm)	1211mm
LP210*210-M-54-MB-xxxW、	1962*1303*35/28(mm)	1154mm
LP210*210-M-54-NB-xxxW	1980*1303*35/28(mm)	1172mm
LP210*210-M-50-MB-xxxW、	2172*1096*30/28(mm)	1188mm
LP210*210-M-50-NB-xxxW	2195*1096*30/28(mm)	1211mm
LP210*210-M-45-MB-xxxW、	1962*1096*30/28(mm)	1154mm
LP210*210-M-45-NB-xxxW	1980*1096*30/28(mm)	1172mm
LP182*182-M-72-MH-xxxW、 LP182*182-M-72-NH-xxxW、 LP182*199-M-66-NH-xxxW	2256*1134*35/30(mm)	1400mm
	2256*1133*35/30(mm)	1400mm
	2279*1134*35/30(mm)	1423mm
	2278*1134*35/30(mm)	1422mm
	2334*1134*35/30(mm)	1478mm
LP182*182-M-72-MB-xxxW、 LP182*182-M-72-NB-xxxW、	2318*1134*35/30(mm)	1462mm
	2256*1134*35/30/28(mm)	1534mm/1272mm/1272mm
	2256*1133*35/30/28(mm)	1534mm/1272mm/1272mm
	2279*1134*35/30/28(mm)	1557mm/1295mm/1295mm

LP182*182-M-66-NB-xxxW	2278*1134*35/30/28(mm)	1556mm/1294mm/1294mm
	2334*1134*35/30/28(mm)	1612mm/1350mm/1350mm
	2318*1134*35/30/28(mm)	1596mm/1334mm/1334mm

2.3.1.3. Screw installation (4 mounting holes)

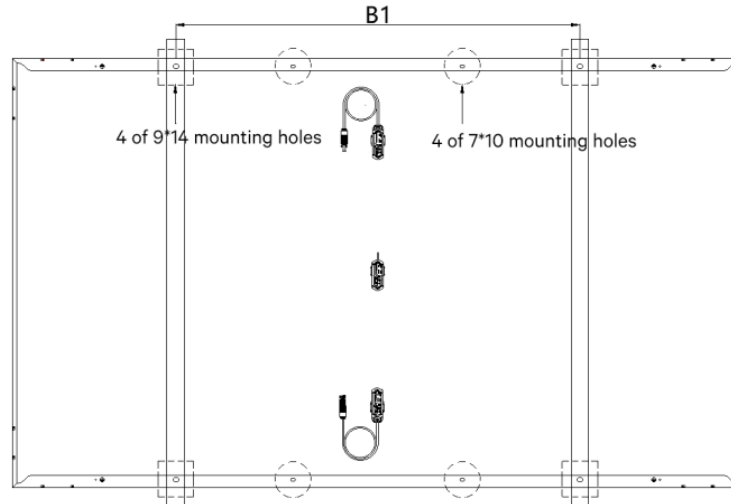


Figure 7: Screw fixing method(4 mounting holes)

Module Type/Dimension		Load: 5400Pa(front)/2400Pa(back)
		B1
LP210*210-M-48-MH-xxxW	1754*1303*35(mm)	946mm
LP210*210-M-48-NH-xxxW	1767*1303*35(mm)	959mm
LP210*210-M-42-MH-xxxW	1540*1303*35(mm)	732mm
LP210*210-M-42-NH-xxxW	1554*1303*35(mm)	746mm
LP210*210-M-50-MH-xxxW	2172*1096*30(mm)	1364mm
LP210*210-M-50-NH-xxxW	2195*1096*30(mm)	1387mm
LP210*210-M-45-MH-xxxW	1962*1096*30(mm)	1154mm
LP210*210-M-45-NH-xxxW	1980*1096*30(mm)	1172mm
LP210*210-M-40-MH-xxxW	1754*1096*30(mm)	946mm
LP210*210-M-40-NH-xxxW	1767*1096*30(mm)	959mm
LP210*210-M-48-MB-xxxW	1754*1303*35/28(mm)	946mm
LP210*210-M-48-NB-xxxW	1767*1303*35/28(mm)	959mm
LP210*210-M-42-MB-xxxW	1540*1303*35/28(mm)	732mm
LP210*210-M-42-NB-xxxW	1554*1303*35/28(mm)	746mm
LP210*210-M-40-MB-xxxW	1754*1096*30/28(mm)	946mm
LP210*210-M-40-NB-xxxW	1767*1096*30/28(mm)	959mm
LP182*182-M-66-MH-xxxW	2073*1134*30/35(mm)	1265mm
	2073*1133*30/35 (mm)	1265mm
	2093*1134*30/35 (mm)	1285mm
	2094*1134*30/35 (mm)	1286mm
LP182*182-M-66-NH-xxxW	2144*1134*30/35 (mm)	1336mm
	1890*1134*30/35(mm)	1082mm
	1892*1133*30/35 (mm)	1084mm
LP182*182-M-60-MH-xxxW	1903*1134*30/35 (mm)	1095mm

	1908*1134*30/35 (mm)	1100mm
	1909*1134*30/35 (mm)	1101mm
	1955*1134*30/35 (mm)	1147mm
LP182*182-M-54-MH-xxxW 、 LP182*182-M-54-NH-xxxW	1707*1134*30/35 (mm)	899mm
	1722*1134*30/35 (mm)	914mm
	1724*1134*30/35 (mm)	916mm
	1762*1134*30/35 (mm)	954mm
LP182*182-M-66-MB-xxxW 、 LP182*182-M-66-NB-xxxW	2073*1134*28/30/35(mm)	1089mm/1089mm /1351mm
	2073*1133*28/30/35 (mm)	1089mm/1089mm /1351mm
	2093*1134*28/30/35 (mm)	1109mm/1109mm /1371mm
	2094*1134*28/30/35 (mm)	1110mm/1110mm /1371mm
	2144*1134*28/30/35 (mm)	1160mm/1160mm /1422mm
LP182*182-M-60-MB-xxxW 、 LP182*182-M-60-NB-xxxW	1890*1134*28/30/35(mm)	1082mm/1082mm/1420mm
	1892*1133*28/30/35 (mm)	1084mm/1084mm/1422mm
	1903*1134*28/30/35 (mm)	1095mm/1095mm/1433mm
	1908*1134*28/30/35 (mm)	1100mm/1100mm/1438mm
	1909*1134*28/30/35 (mm)	1101mm/1101mm/1439mm
	1955*1134*28/30/35 (mm)	1147mm/1147mm/1485mm
LP182*182-M-54-MB-xxxW 、 LP182*182-M-54-NB-xxxW	1707*1134*28/30/35 (mm)	899mm/899mm/1237mm
	1722*1134*28/30/35 (mm)	914mm/914mm/1252mm
	1724*1134*28/30/35 (mm)	916mm/916mm/1254mm
	1762*1134*28/30/35 (mm)	954mm/954mm/1292mm

2.3.2. Clamp installation

The clamp used should not contact the glass or deform the frame to ensure that the clamp does not create shadows on the glass. Under no circumstances should the frame be modified; When selecting the clamp installation method, make sure there are at least 4 clamps on each solar module. The number of clamps to be used depends on the strength of the local wind and snow pressure. If the pressure is greater than expected, additional clamps or supports are required to ensure that the solar module can withstand the pressure. The torque used during installation should be large enough to allow the solar module to hold well (details check with the clamp or mounting supplier).

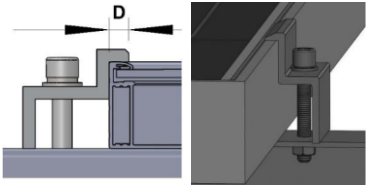
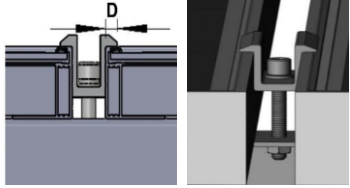
Clamp Type	Clamp Picture	
	Side clamp	Middle clamp
For mounting clamps of aluminum frame solar modules		
Note	Ensure that the clamp touches $7\text{mm} \leq D \leq 10\text{mm}$ on side A of the solar module	
Clamp Spec	Clamp Dimension: Length $L \geq 50\text{mm}$, Thickness $\geq 3\text{mm}$ (For aluminum frame)	
Fasteners	M8 bolts, nuts, spring washers, flat washers, clamps (Corrosion resistant firmware is recommended to maximize support life)	

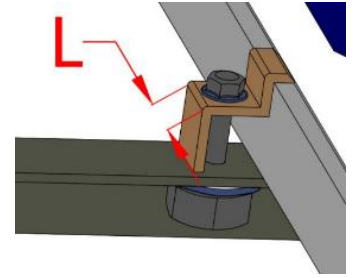
Figure 8 & table: 210mm cells solar module installation position and module type with 4 clamps in long side

Figure 9 & table: 210mm cells solar module installation position and module type with 8 clamps in long side

Figure 10 & table: 182mm cells solar module installation position and module type with 4 clamps in long side

Figure 11 & table: 182mm cells solar module installation position and module type with 8 clamps in long side

Figure 12 & table: 182mm cells solar module installation position and module type with 4 clamps in top mounting of long side.



2.3.2.1. Clamps installation in long side (4 clamps) -210mm cells

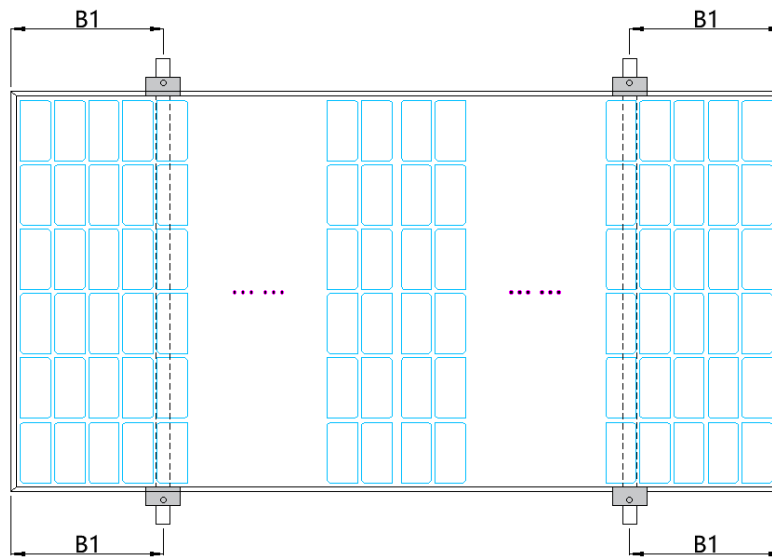


Figure 9: clamps fixed method in long side

Module Type	Maximum test load: 5400Pa (front)/2400Pa(back)
LP210*210-M-60-MH-xxxW、LP210*210-M-60-NH-xxxW、 LP210*210-M-60-MB-xxxW、LP210*210-M-60-NB-xxxW	B1=350mm~450mm
LP210*210-M-55-MH-xxxW、LP210*210-M-55-MB-xxxW、 LP210*210-M-55-NH-xxxW、LP210*210-M-55-NB-xxxW、 LP210*210-M-66-MH-xxxW、LP210*210-M-66-MB-xxxW、 LP210*210-M-66-NH-xxxW、LP210*210-M-66-NB-xxxW、 LP182*210-M-66-NH-xxxW、LP182*210-M-66-NB-xxxW、	B1=440mm~540mm

2.3.2.2. Clamps installation in long side (4 clamps) - 182mm cells

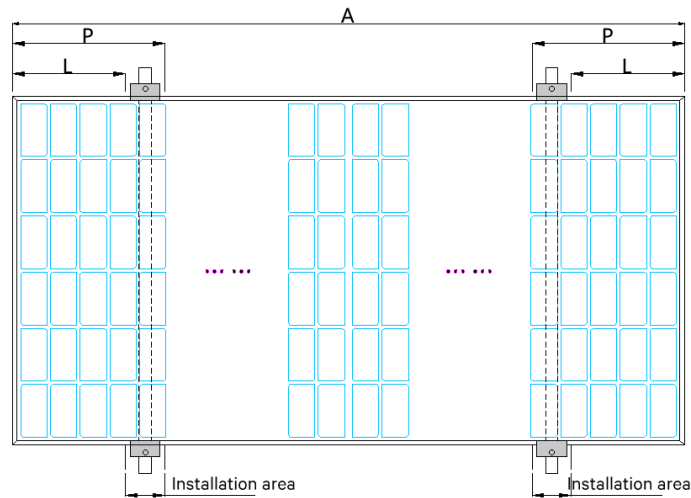


Figure 10: clamps fixed method in long side

Module Type	Maximum test load: 5400Pa (front)/2400Pa(back)
LP182*182-M-54-MH-xxxW、 LP182*182-M-60-MH-xxxW、 LP182*182-M-66-MH-xxxW、 LP182*182-M-72-MH-xxxW、 LP182*182-M-54-MB-xxxW、 LP182*182-M-60-MB-xxxW、 LP182*182-M-66-MB-xxxW 、 LP182*182-M-72-MB-xxxW、 LP182*182-M-54-NH-xxxW、 LP182*182-M-60-NH-xxxW、 LP182*182-M-66-NH-xxxW、 LP182*182-M-72-NH-xxxW、 LP182*182-M-54-NB-xxxW、 LP182*182-M-60-NB-xxxW、 LP182*182-M-66-NB-xxxW 、 LP182*182-M-72-NB-xxxW、 LP182*199-M-66-NH-xxxW、 LP182*199-M-66-NB-xxxW、 LP182*182-M-78-MB-xxxW、 LP182*182-M-78-NB-xxxW、 LP182*199-M-72-NB-xxxW	$L = \frac{\text{Length of solar panel}}{4} - 50(\text{mm})$ $P = \frac{\text{Length of solar panel}}{4} + 50(\text{mm})$

2.3.2.3. Clap installation in short side (4 clamps) – 182mm

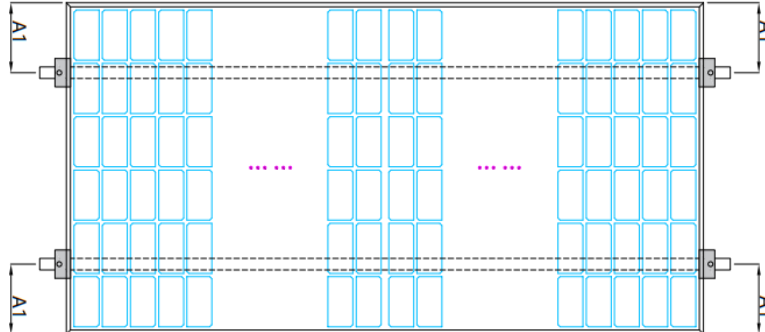


Figure 10-2: clamps fixed method in short side

Module Type	Maximum test load: 2400Pa (front)/1800Pa(back)
LP182*182-M-54-MH-xxxW、 LP182*182-M-60-MH-xxxW、 LP182*182-M-54-NH-xxxW、 LP182*182-M-60-NH-xxxW、 LP182*182-M-54-MB-xxxW、 LP182*182-M-60-MB-xxxW、 LP182*182-M-54-NB-xxxW、 LP182*182-M-60-NB-xxxW、	A1=0~250mm
Module Type	Maximum test load: 1600Pa (front)/1000Pa(back)
LP182*199-M-66-NH-xxxW、 LP182*199-M-66-NB-xxxW、 LP182*182-M-78-NB-xxxW、 LP182*199-M-72-NB-xxxW	A1=0~250mm

2.3.2.4. Clamps installation in long/ short side (4 clamps) - 182mm/210mm cells

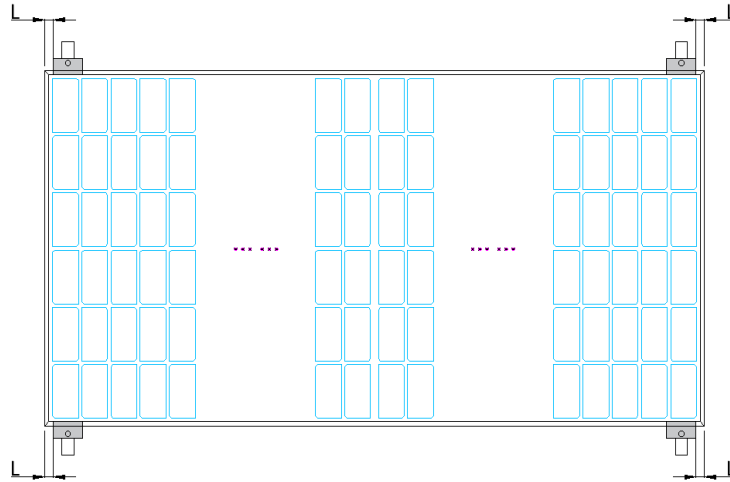


Figure 11-1: clamps fixed method in long side

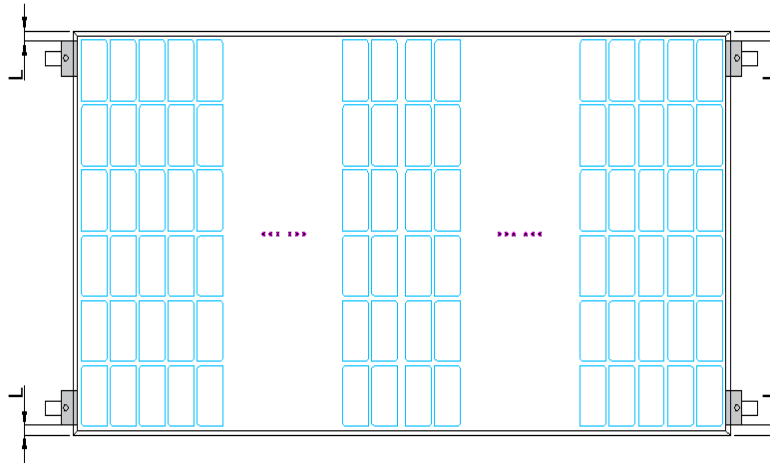


Figure 11-2: clamps fixed method in short side

Module Type	Maximum test load: 2400Pa (front)/1000Pa(back)
LP182*182-M-54-MH-xxxW、 LP182*182-M-60-MH-xxxW、 LP182*182-M-54-MB-xxxW、 LP182*182-M-60-MB-xxxW、 LP182*182-M-54-NH-xxxW、 LP182*182-M-60-NH-xxxW、 LP182*182-M-54-NB-xxxW、 LP182*182-M-60-NB-xxxW	L=20mm~50mm

2.3.2.5. Clamps installation in long side (8 clamps) - 182mm cells

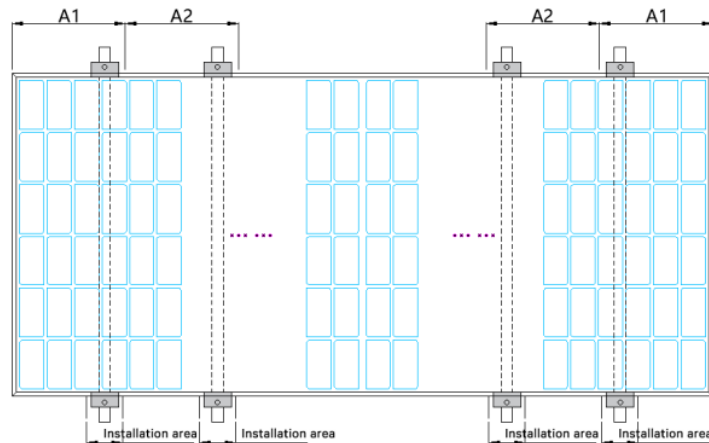


Figure 12: clamps fixed method in long side

Module Type	Maximum test load: 5400Pa (front)/2400Pa(back)	
LP182*182-M-78-MH-xxxW、LP182*182-M-78-NH-xxxW、 LP182*199-M-72-NH-xxxW	A1=400mm	A2=400mm

3. Connection

A) Please read the operation manual of solar system carefully before installation, and use multi-port connection cable series or parallel solar modules according to user's requirements for system power, current and voltage.

B) In series, solar modules with the same current should be selected for connection. The total voltage generated by the modules in series should not be higher than the maximum voltage allowed by the system. The maximum number of modules in series depends on the system design, inverter type and surrounding conditions.

C) Mark the maximum rated current value in the solar module array. The rated current also corresponds to the maximum reverse current that a solar module can withstand on the product nameplate or product specifications. For example, when one string is shaded, the other two will form a load leading current loop. According to the maximum rated fuse current of the solar module and the local electrical installation standard, suitable fuses should be provided for the connection of the parallel series of the solar module for circuit protection.

D) According to the installation instructions of the PV control system, turn on the connectors of the control system and connect the PV array cables to the connectors. The cross-sectional area and capacity of the cable must be equal to the maximum short-circuit current of the PV array (for a single solar module, the cross-sectional area of the cable is 4mm²-6 mm², otherwise the cable and connector will overheat). Please note that the cable temperature limit is 85°C.

E) Ensure that all aluminum alloy frames and brackets of solar modules are grounded in accordance

with international or local electrical regulations; Use the reserved holes to connect the hardware to the ground. Use a stainless steel star washer (see Figure 13-1 or 13-2 in Figure 13-1) between the ground cable and the frame of the solar module. The washer is used to prevent corrosion caused by contact with metals of different attributes, and tighten screws. The following figure shows the fixed grounding scheme. You can choose a grounding scheme based on the solar module installation vendor's suggestions.

Reference Scheme 1



solar modules	Shown	Connection method
		<p>Place the star ring, flat washer, and ground cable in sequence, screw through the ground hole, and tighten it to secure adjacent solar modules.</p> <p>Leapton recommended that the grounding resistance < 1 ohm</p>

Figure 13-1: Grounding diagram

Reference Scheme 2

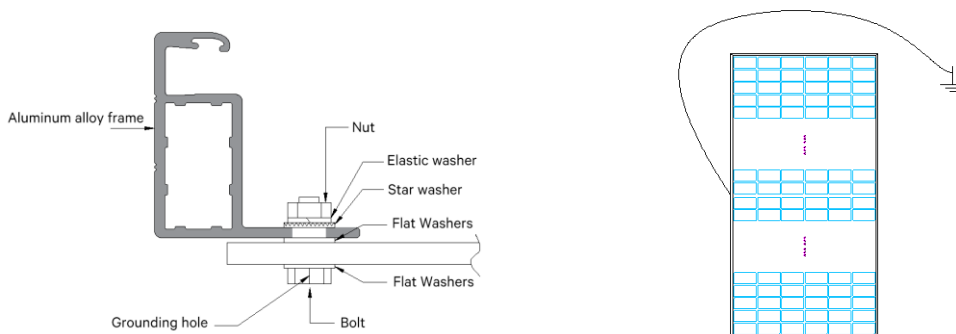


Figure 13-2: Grounding diagram

F) Electrical connections shall comply with the relevant electrical regulations of the installation site.

G) The assembly is equipped with by-pass diodes, which may damage the diodes, cables and junction boxes if improperly installed.

H) Define the length of the junction box cables as (different installation methods correspond to different cable lengths for different solar module types), or as required by customers on the length of the cable. As shown in Figure 14 below, please consider the length of the lead wire before designing the cable. It is not recommended to plug different types of connectors.



Figure 14: Half cells/Transparent backsheet solar module junction box

I) For Non-PID resistant solar modules, the project system design recommends the negative grounding installation of the inverter to avoid PID effect.

J) If the solar modules are in series, the total voltage is equal to the sum of the voltages of the

individual solar modules. Recommendations are as follows:

$$\text{System voltage} \geq N * \text{Voc} * [1 + \text{TCVoc} * (\text{Tmin}-25)]$$

* * note:

N: serial number of single solar module

Voc: Open circuit voltage (refer to product label or datasheet)

TCVoc: Open circuit voltage temperature coefficient (refer to product label or datasheet)

Tmin: Minimum ambient temperature

K) For water projects, it is recommended to adopt negative grounding installation of inverter to avoid PID effect in project system design.

4. Maintenance

Solar modules need to be inspected and maintained regularly, especially during the warranty period. In order to ensure that the solar modules can achieve the best performance, Leapton recommends the following maintenance measures:

4.1. appearance inspection

Check the solar modules carefully for appearance defects. Focus on the following points:

- A) Photovoltaic modules use anti-reflective film technology. It is normal to find color differences when observed at different angles
- B) Whether the solar module glass is damaged;
- C) Whether sharp objects touch the surface of the solar module;
- D) Whether the solar module is blocked by obstacles and foreign bodies;
- E) Whether there is corrosion near the grid line of the cells. This corrosion is caused by water vapor penetrating into the interior of the solar modules caused by the damage of the surface packaging materials during installation or transportation.
- F) Observe whether the backside of the solar module is burned out;
- G) Check whether the fixing screws between solar modules and mounting are loose or damaged, and timely adjust or repair them.

4.2. Clean

A) The accumulation of dust or dirt on the surface of the solar modules can reduce the power output. If possible, perform regular cleaning once a year (depending on the conditions at the installation site). Clean with a soft cloth, dry or damp. It is not recommended to use water containing minerals for cleaning, so as not to leave dirt on the glass surface; It is recommended to use neutral water to clean the glass, avoid strong acid and alkali, so as not to damage the glass coating layer;

B) Under no circumstances shall solar modules be cleaned with rough surface materials;

C) In order to reduce potential electric shocks or burns, Leapton recommends cleaning photovoltaic modules in the early morning or evening when the light is not strong and the module temperature is low, especially in areas with high temperatures;

D) Do not attempt to clean PV modules with features such as broken glass or exposed wires, which would be at risk of electric shock.

4.3. Connector and Cable inspection

It is recommended to perform the following preventive maintenance every six months:

- A) Check the sealant of the junction box to ensure that there are no cracks or gaps;
- B) Check the aging signs of photovoltaic modules. This includes possible rodent damage, climate aging, and whether all connectors are tightly connected and corroded. Check that the solar modules are properly grounded.

5. Electrical characteristics

The electrical performance parameters of the solar modules were measured under standard test conditions of 1000W/m² light intensity, AM1.5, and ambient temperature of 25°C (77°F) with power tolerances of ±3% and open circuit voltage and short circuit current tolerances of ±5%. In some cases, the solar module may generate a higher or lower voltage or current than the rated.

Corresponding electrical performance parameters can be downloaded from the website:

www.leaptonpv.com

6. Disclaimers

As the use of this manual and the conditions for the installation, operation, use and maintenance of the solar modules are beyond the control of Leapton, Leapton shall not be liable for any loss, damage or expense arising from the installation, operation, use or maintenance.

Leapton assumes no responsibility for any infringement of patents or third party rights that may result from the use of the solar module products. Customer does not obtain any patent or license to use any patent rights, whether express or implied, by virtue of the use of Leapton products.

The information in this manual is based on the knowledge and experience of Leapton which is believed to be reliable, but the information and related recommendations, including but not limited to the above product specifications, do not constitute any warranty, express or implied. Leapton reserves the right to modify the manual, PV products, specifications or product information without prior notice.

Appendix: Application products

This document applies to the following series of Leapton products:

Series	Type	Power Range
182 monofacial/bifacial	156 cells: LP182*182-M-78-MH-xxxW	xxx=560-605, in increment of 5
	156 cells: LP182*182-M-78-NH-xxxW	xxx=580-625, in increment of 5
	144 cells: LP182*182-M-72-MH-xxxW	xxx=515-570, in increment of 5
	144 cells: LP182*182-M-72-NH-xxxW	xxx=555-575, in increment of 5
	132 cells: LP182*182-M-66-MH-xxxW	xxx=475-520, in increment of 5
	132 cells: LP182*182-M-66-NH-xxxW	xxx=510-525, in increment of 5
	120 cells: LP182*182-M-60-MH-xxxW	xxx=430-475, in increment of 5
	120 cells: LP182*182-M-60-NH-xxxW	xxx=460-480, in increment of 5
	108 cells: LP182*182-M-54-MH-xxxW	xxx=390-425, in increment of 5
	108 cells: LP182*182-M-54-NH-xxxW	xxx=410-430, in increment of 5
182 dual glass	156 cells: LP182*182-M-78-NB-xxxW	xxx=580-625, in increment of 5
	144 cells: LP182*182-M-72-MB-xxxW	xxx=515-555, in increment of 5
	144 cells: LP182*182-M-72-NB-xxxW	xxx=555-575, in increment of 5
	132 cells: LP182*182-M-66-MB-xxxW	xxx=475-510, in increment of 5

	132 cells: LP182*182-M-66-NB-xxxW	xxx=510-525, in increment of 5
	120 cells: LP182*182-M-60-MB-xxxW	xxx=430-465, in increment of 5
	120 cells: LP182*182-M-60-NB-xxxW	xxx=460-480, in increment of 5
	108 cells: LP182*182-M-54-MB-xxxW	xxx=390-415, in increment of 5
	108 cells: LP182*182-M-54-NB-xxxW	xxx=410-430, in increment of 5
210 monofacial/bifacial	132 cells: LP210*210-M-66-MH-xxxW	xxx=630-670, in increment of 5
	132 cells: LP210*210-M-66-NH-xxxW	xxx=675-705, in increment of 5
	120 cells: LP210*210-M-60-MH-xxxW	xxx=575-610, in increment of 5
	120 cells: LP210*210-M-60-NH-xxxW	xxx=615-640, in increment of 5
	108 cells: LP210*210-M-54-MH-xxxW	xxx=515-545, in increment of 5
	108 cells: LP210*210-M-54-NH-xxxW	xxx=555-575, in increment of 5
	96 cells: LP210*210-M-48-MH-xxxW	xxx=460-485, in increment of 5
	96 cells: LP210*210-M-48-NH-xxxW	xxx=490-510, in increment of 5
	84 cells: LP210*210-M-42-MH-xxxW	xxx=400-425, in increment of 5
	84 cells: LP210*210-M-42-NH-xxxW	xxx=430-445, in increment of 5
	110 cells: LP210*210-M-55-MH-xxxW	xxx=520-555, in increment of 5
	100 cells: LP210*210-M-50-MH-xxxW	xxx=475-505, in increment of 5
	90 cells: LP210*210-M-45-MH-xxxW	xxx=425-455, in increment of 5
	80 cells: LP210*210-M-45-MH-xxxW	xxx=380-400, in increment of 5
	210 dual glass	132 cells: LP210*210-M-66-MB-xxxW
132 cells: LP210*210-M-66-NB-xxxW		xxx=675-705, in increment of 5
120 cells: LP210*210-M-60-MB-xxxW		xxx=575-610, in increment of 5
120 cells: LP210*210-M-60-NB-xxxW		xxx=615-640, in increment of 5
108 cells: LP210*210-M-54-MB-xxxW		xxx=515-545, in increment of 5
108 cells: LP210*210-M-54-NB-xxxW		xxx=555-575, in increment of 5
96 cells: LP210*210-M-48-MB-xxxW		xxx=460-485, in increment of 5
96 cells: LP210*210-M-48-NB-xxxW		xxx=490-510, in increment of 5
84 cells: LP210*210-M-42-MB-xxxW		xxx=400-425, in increment of 5
84 cells: LP210*210-M-42-NB-xxxW		xxx=430-445, in increment of 5
110 cells: LP210*210-M-55-MB-xxxW		xxx=520-555, in increment of 5
100 cells: LP210*210-M-50-MB-xxxW		xxx=475-505, in increment of 5
90 cells: LP210*210-M-45-MB-xxxW	xxx=425-455, in increment of 5	
80 cells: LP210*210-M-45-MB-xxxW	xxx=380-400, in increment of 5	
182*199 monofacial/bifacial	132 cells: LP182*199-M-66-NH-xxxW	xxx=550-595, in increment of 5
	144 cells: LP182*199-M-72-NH-xxxW	xxx=600-650, in increment of 5
182*199 dual glass	132 cells: LP182*199-M-66-NB-xxxW	xxx=550-595, in increment of 5
	144 cells: LP182*199-M-72-NB-xxxW	xxx=600-650, in increment of 5

7. Modify the version and date

Document number: LP-QD-JS-026

Version number: A0

Issued in September, 2022

Document number: LP-QD-JS-026

Version number: A1

Issued in February, 2023

Document number: LP-QD-JS-026

Version number: A2

Issued in May, 2023

Document number: LP-QD-JS-026

Version number: A3

Issued in January, 2024